



Espresso Machines

Concept Green



- Vertical flanged boiler for each brewing group with a 1.2 liter capacity, and 1150w heating element

Safety Features on the Services Boiler

- The pressure disengages the power supply to the heating element if the pressure in the boiler reaches 1.5 bars
- Should the pressure switch malfunction, the boiler safety valve opens when the pressure in the boiler reaches 2.0 bars
- A temperature sensor disconnects the heating element when it reaches 130°C and gives a visual alarm signal on the display
- A secondary safety sensor positioned internally in the boiler, disconnects the heating element should a temperature of 169°C be reached
- A function on the Central Processing Unit, disconnects the heating element should it work uninterruptedly at 100% of its capacity for more longer than 60 seconds

Safety Features on the Individual Coffee Brewing Boilers

- A temperature sensor disconnects the heating element when it reaches 130°C and gives a visual alarm signal on the display
- A secondary safety sensor, disconnects the heating element should a temperature of 150°C be reached
- The SNCR valve opens when the pressure in the hydraulic circuit surpasses 12.5 bars
- A function on the Central Processing Unit, disconnects the heating element should it work uninterruptedly at 100% of its capacity for more longer than 45 seconds
- USB port for uploading and downloading of settings and parameters, in addition to software
- Hot water for tea obtained by mixing fresh water from the incoming line and steam from the services boiler
- Electronically controlled cup warmer
- Temperatures in the individual coffee brewing boilers, the group heads and the services boiler, electronically controlled with a maximum fluctuation of +/- 0.5°C
- Pump operating water pressure reading, together with incoming water pressure visible on the display
- Ambient humidity reading obtained by means of a hygrometer, and visible on the display
- Incoming water pressure reading visible on the display

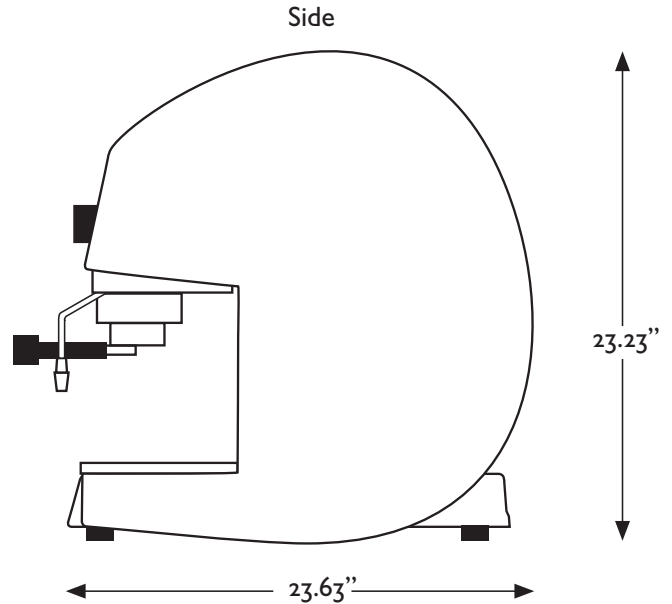
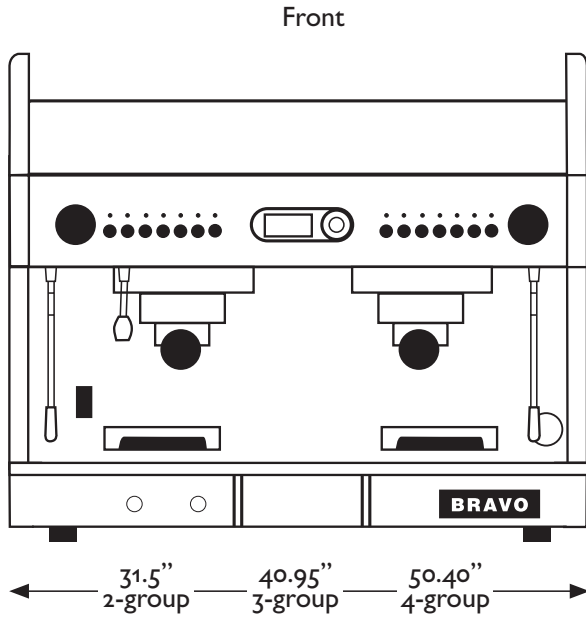
Display Function

- Language options: Italian, English, German, French, Spanish and Portuguese
- Quantification and memorizing of selections effected by each group
- Option to control "save energy" function either manually or electronically
- Diagnostic messages obtained and displayed in order to facilitate the operation of the Concept Green, in addition to the viewing of service and maintenance schedules
- Message indicating water softener needs maintenance
- Visualization of the machine parameters, including primary and secondary menu options
- Time/date settings and visualization
- Optional autosteamer



Espresso Machines

Concept Green



Green Line Specs

		2-Group	3-Group	4-Group
Voltage	V	230	230	230
Total Rated Power	W	4.400	5.600	7.100
Power per Group	W	150 x 2	150 x 3	150 x 4
Power of Coffee Water Tank element for Each Group	W	1.150 x 2	1.150 x 2	1.150 x 2
Steam Boiler Power	W	4000	4000	4000
Steam Boiler Capacity	Liters	8	13	13
Coffee Water Reservoir Capacity	Liters	(1.2) x 2	(1.2) x 3	(1.2) x 4
Width	Width= Inches	31.5	40.95	50.40
Depth	Depth = Inches	23.63	23.63	23.63
Height	Height = Inches	23.23	23.23	23.23
Net Weight	Pounds	209	257.4	3123.4
Gross Weight	Pounds	231	283.9	345.4
Packed Volume	Cubic Feet	15,791	20,049	24,488