



Panini Toaster Grills

BRTG 1R-LX



BRTG 2-LX



BRTG 1-LX



Painini Toaster Grills

Hot grills in special cast iron and supporting frame in stainless steel. Individually adjustable thermostats to 300°C (572°F), equipped with main switch and warning light. Feeding cable and inner system made of silicone, suitable for high temperatures. Armored heating elements. Appliance is in conformity with U.S. requirements.

BRTG 1R-LX

Width 13"
Depth 15"
Height 9"



Approvals: ETL to (UL Std. 197) ETL Sanitation to (NSF 4)

BRTG 2-LX

Width 24"
Depth 15"
Height 9"



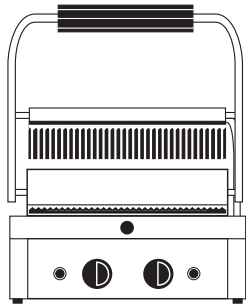
BRTG 1-LX

Width 17"
Depth 15"
Height 9"

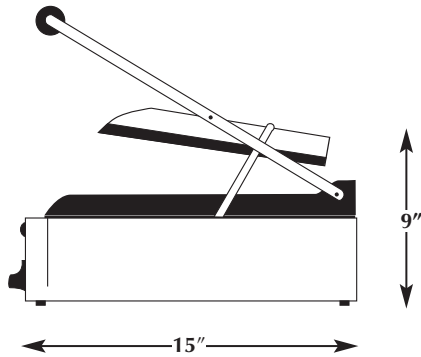


Panini Toaster Grills

BRTG1R-LX



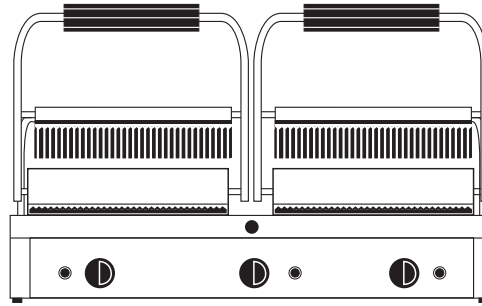
13"



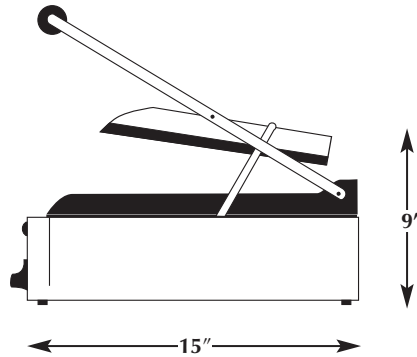
15"

9"

BRTG2-LX



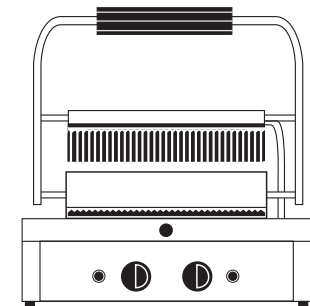
24"



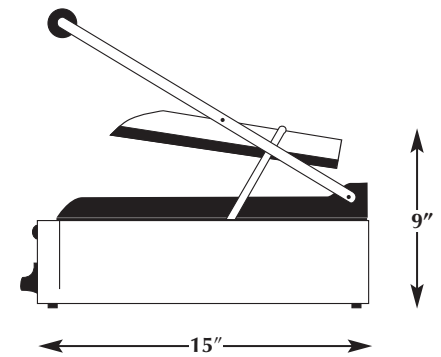
15"

9"

BRTG1-LX



17"



15"

9"

	W/D/H	Power	Power Absorption	Amps	Weight
BRTG1R-LX	13"/15"/9"	110v-60hz, single phase	1600 w	14.5	49 lbs.
BRTG2-LX	24"/15"/9"	230v-60hz, single phase	3200 w	13.9	90 lbs.
BRTG1-LX	17"/15"/9"	110v-60hz, single phase	1600 w	14.5	58 lbs.

The manufacturer reserves the right to alter specifications without notice.