



## Pasta Cookers

**SIMPLE**



W = 15.75"  
D = 35.4"  
H = 34.25"

**EXTREME**



**CPG 90/40**  
Simple & Extreme

**SIMPLE**

**Simplicity And Reliability**

The Simple version of this pasta cooker is a classic mechanical pasta cooker with a cooking well in AISI 316 stainless steel, water filling by mechanical tap. High efficiency burners with frame failure device and pilot burner, ignition by piezo spark. 40 liter water well.

**EXTREME**

**Pasta - Rice - Vegetables All In One Machine**

The Extreme version of this pasta cooker has new technical features like the automatic low water level shut-off (no accidental overheating), a pressed cooking well in AISI 316 stainless steel, 15/10 mm thick for lasting non-deformability and electrovalve water fill. 40 liter water well. Water loading by solenoid valve activated by a switch installed in the control panel. Fast water filling and re-fill

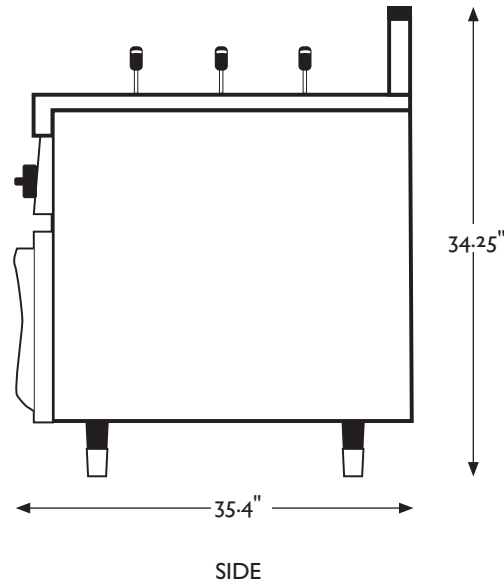
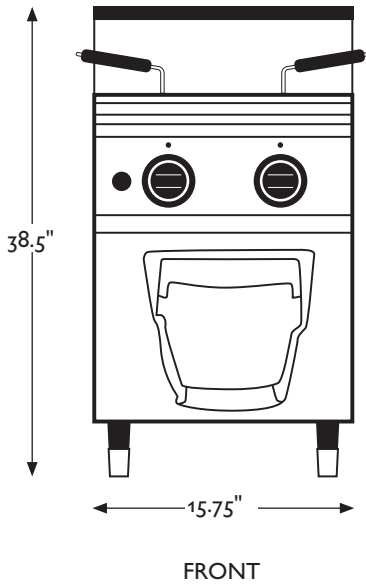
**Approvals**

ETL Gas and Sanitation

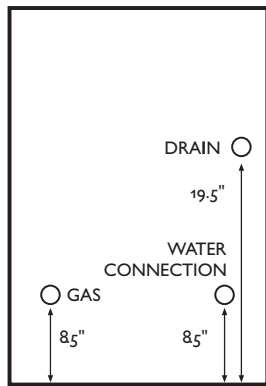




# Pasta Cookers



**CPG 90/40**  
Simple & Extreme



FRONT (BOTTOM VIEW)



SIMPLE



EXTREME

FRONT PANEL CONTROLS

Models	90/40 CPGS	90/40 CPGE
Width	15.75"	15.75"
Depth	35.4"	35.4"
Height	34.25"	34.25"
Well Size	12"W X 20"D	12"W X 20"D
Well Cap.	40 liters	40 liters
Power	Gas	Gas
Gas Inlet	1/2"	1/2"